

Specification

Aluminium 6063-T6 alloy to BS EN 755-9 standard, powder coated to BS 6496 to 60 – 80 micron finish.

Aluminium Finish: White – RAL 9003 Satin.

Sub-Frame: Primed high quality with 2 coats, FSC Mix credit radiata pine clear grade, FSC mix credit TT-COC-002 157.

Timber Size: 62mm x 16mm.

Glazing: All frames are factory glazed.
(4mm-10.8 single glazed – 28mm overall double glazed).

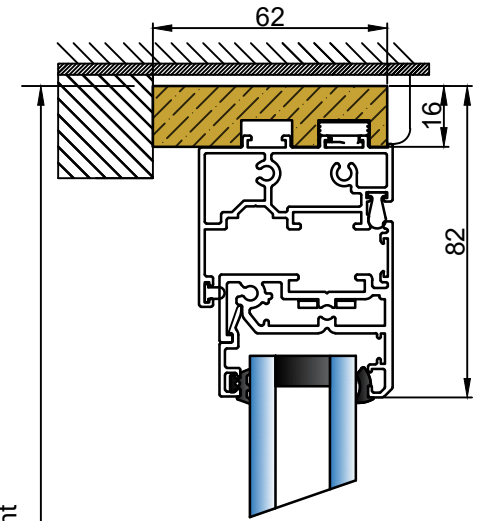
Gasket colour: White.

Trim: 27mm uPVC Single Bullnosed White.

Ironmongery: Butt hinges as standard, friction stays option available.
Symphony Inline handle as standard, flush inline handle option available.
Square drive actuator removable handle option available.

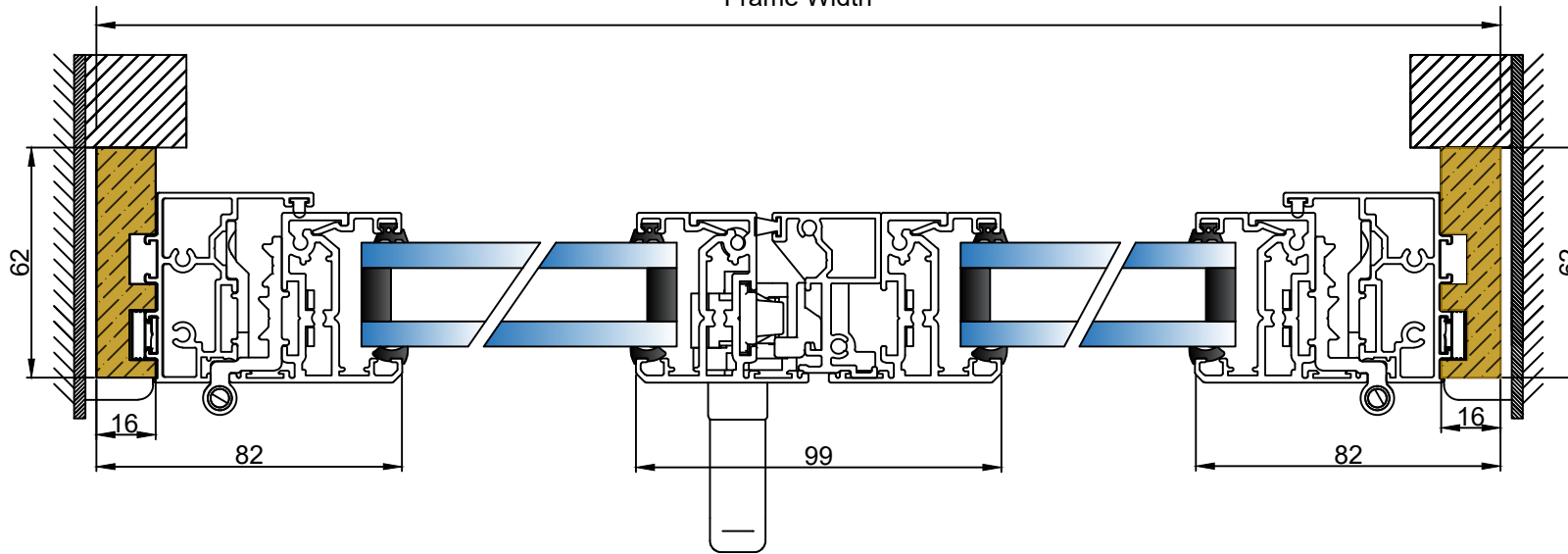
Orientation: Left hand, right hand and top hung options.

In line with our company policy of continuous product development and improvement, Granada reserves the right to make minor alterations to specification without notice.

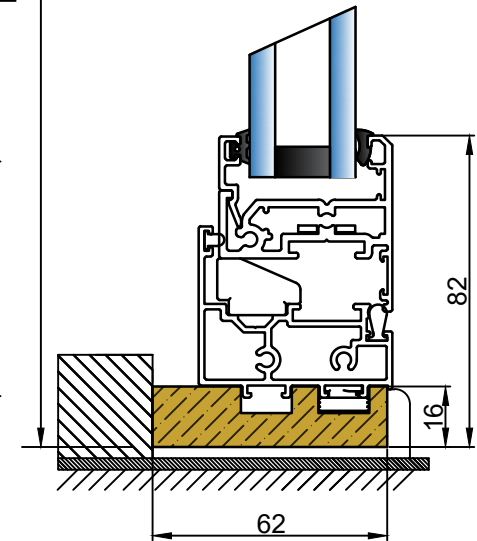


Section A-A

Frame Width



Frame Height



PROJECT:
Standard Details

GSG_001
DRAWING NO.

-
PROJECT NO. DATE.

TITLE:
HU-DH Hinge unit, Face Fix, Doudle glazed

NTS
AB
DRAWN.

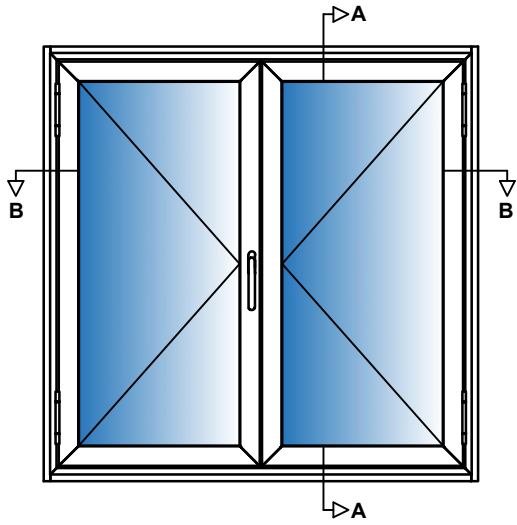
RH
CHECKED.

-
REVISION.



Campbell Way
Dinnington
Sheffield
S25 3QD

Tel: 01909 499 899
W: www.granadaglazing.com



Specification

Aluminium 6063-T6 alloy to BS EN 755-9 standard, powder coated to BS 6496 to 60 - 80 micron finish.

Aluminium Finish: White - RAL 9003 Satin.

Glazing: All frames are factory glazed.
(4mm-10.8 single glazed - 28mm overall double glazed).

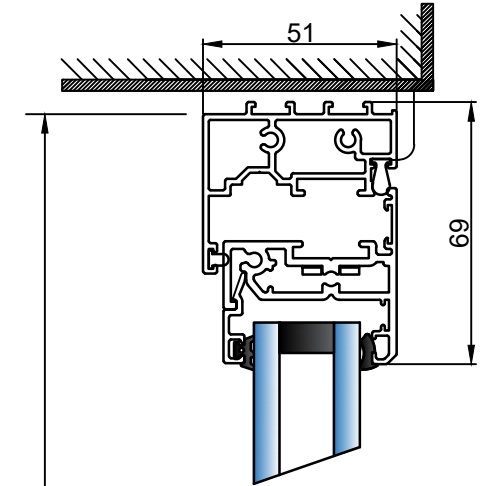
Gasket colour: White.

Trim: 27mm uPVC Single Bullnosed White.

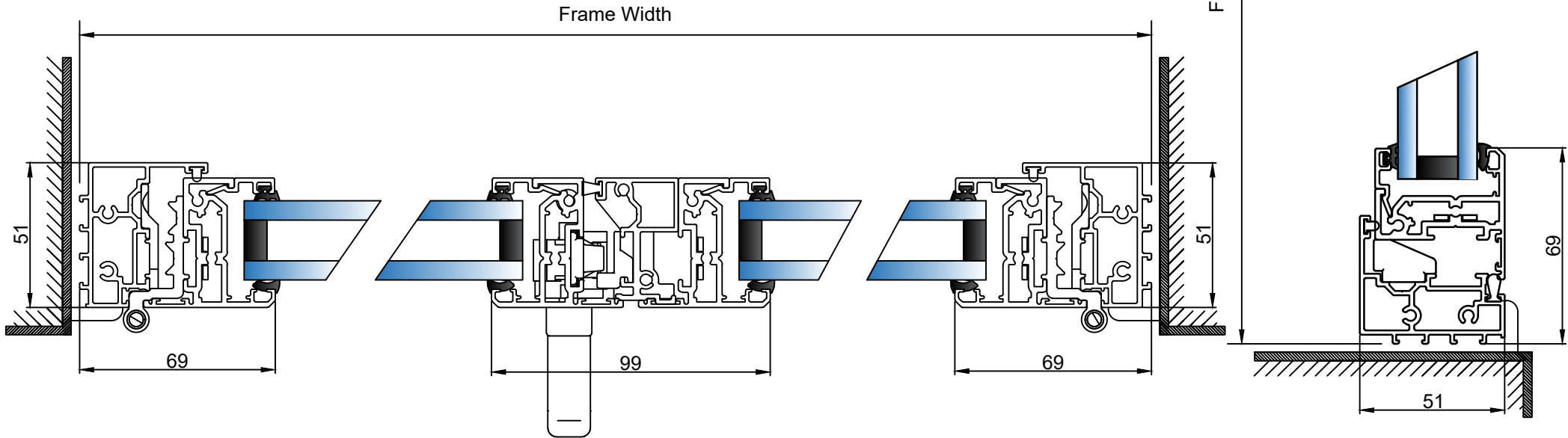
Ironmongery: Butt hinges as standard, friction stays option available.
Symphony Inline handle as standard, flush inline handle option available.
Square drive actuator removable handle option available.


Orientation: Left hand, right hand and top hung options.

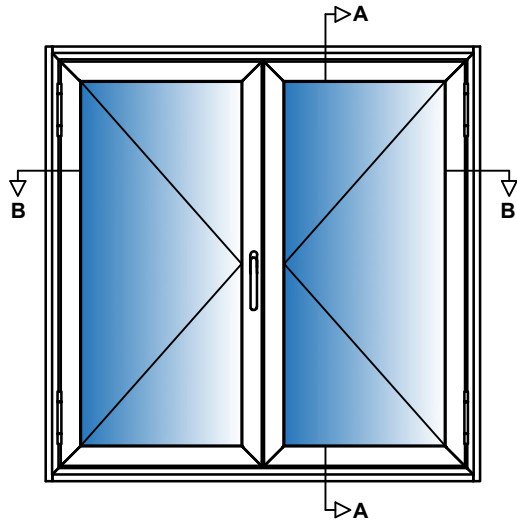
In line with our company policy of continuous product development and improvement, Granada reserves the right to make minor alterations to specification without notice.



Section A-A



PROJECT: Standard Details	GSG_001 DRAWING NO.	- PROJECT NO.	07/07/21 DATE.	 <p>GRANADA secondary glazing</p> <p>Campbell Way Dinnington Sheffield S25 3QD</p> <p>Tel: 01909 499 899 W: www.granadaglazing.com</p>
TITLE: HU-DH Hinge unit, No Sub Reveal Fix, Double glazed	NTS DRAWN.	AB CHECKED.	RH REVISION.	



Specification

Aluminium 6063-T6 alloy to BS EN 755-9 standard, powder coated to BS 6496 to 60 – 80 micron finish.

Aluminium Finish: White – RAL 9003 Satin.

Sub-Frame: Primed high quality with 2 coats, FSC Mix credit radiata pine clear grade, FSC mix credit TT-COC-002 157.

Timber Size: 62mm x 16mm.

Glazing: All frames are factory glazed.
(4mm-10.8 single glazed – 28mm overall double glazed).

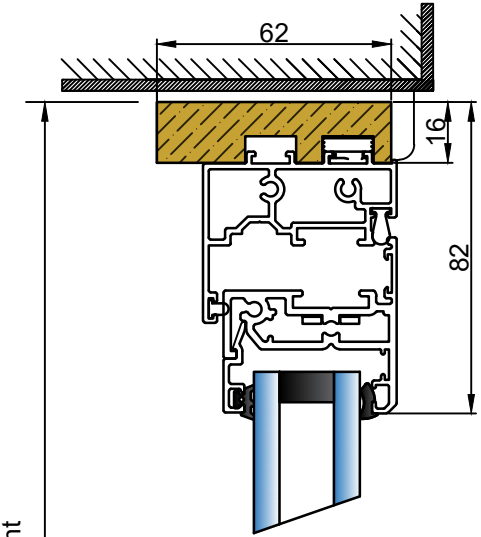
Gasket colour: White.

Trim: 27mm uPVC Single Bullnosed White.

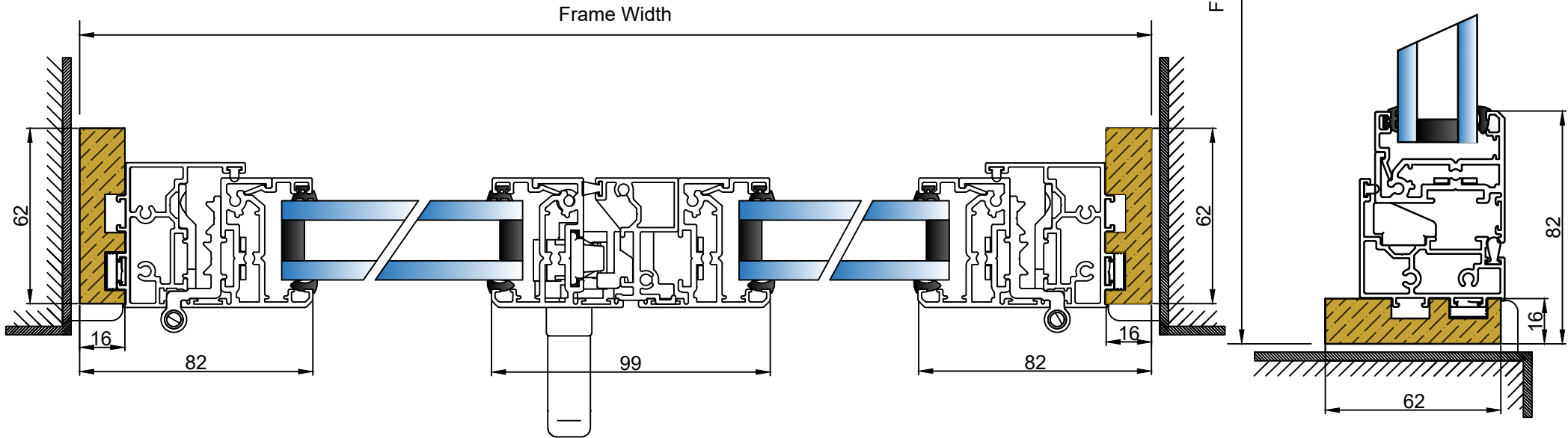
Ironmongery: Butt hinges as standard, friction stays option available.
Symphony Inline handle as standard, flush inline handle option available.
Square drive actuator removable handle option available.

Orientation: Left hand, right hand and top hung options.

In line with our company policy of continuous product development and improvement, Granada reserves the right to make minor alterations to specification without notice.



Section A-A



PROJECT:
Standard Details

GSG_001
DRAWING NO.

-
PROJECT NO. 07/07/21
DATE.

TITLE:
HU-DH Hinge unit, Reveal Fix, Doudle glazed

NTS
AB
DRAWN.

RH
CHECKED.
REVISION.



Campbell Way
Dinnington
Sheffield
S25 3QD
Tel: 01909 499 899
W: www.granadaglazing.com

Specification

Aluminium 6063-T6 alloy to BS EN 755-9 standard, powder coated to BS 6496 to 60 – 80 micron finish.

Aluminium Finish: White – RAL 9003 Satin.

Sub-Frame: Primed high quality with 2 coats, FSC Mix credit radiata pine clear grade, FSC mix credit TT-COC-002 157.

Timber Size: 62mm x 16mm.

Glazing: All frames are factory glazed.
(4mm-10.8 single glazed – 28mm overall double glazed).

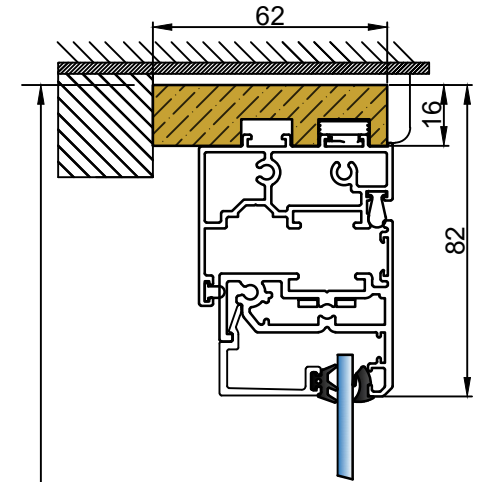
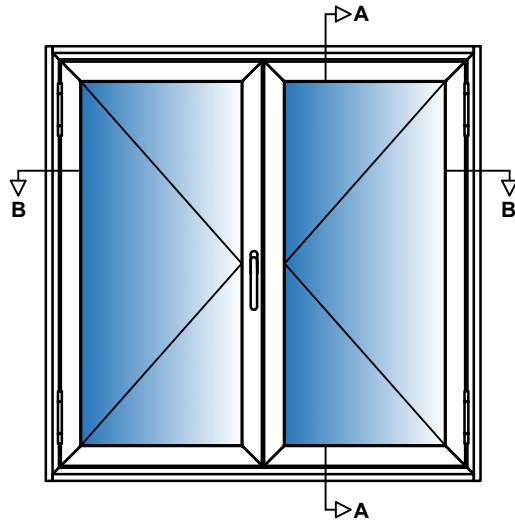
Gasket colour: White.

Trim: 27mm uPVC Single Bullnosed White.

Ironmongery: Butt hinges as standard, friction stays option available.
Symphony Inline handle as standard, flush inline handle option available.
Square drive actuator removable handle option available.

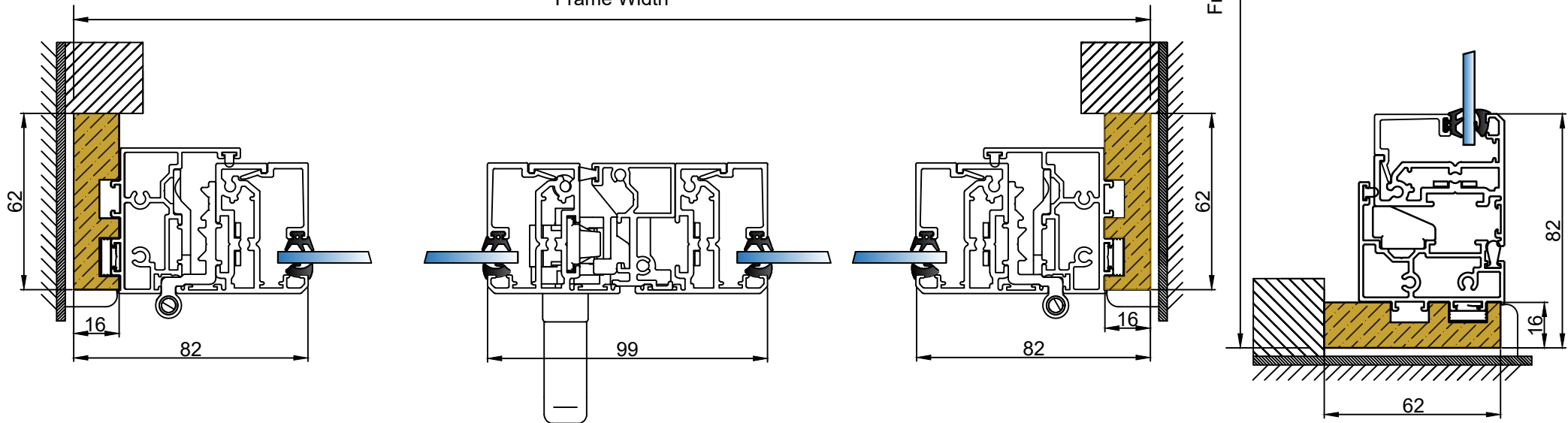
Orientation: Left hand, right hand and top hung options.

In line with our company policy of continuous product development and improvement, Granada reserves the right to make minor alterations to specification without notice.



Section A-A

Frame Width



PROJECT:
Standard Details

GSG_001
DRAWING NO.

-
PROJECT NO. DATE.

07/07/21

TITLE:
HU-DH Hinge unit, Face Fix, Single glazed

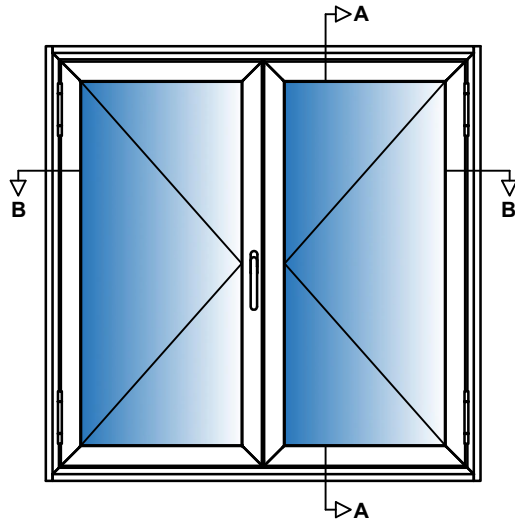
NTS
AB
DRAWN.

RH
CHECKED.

-
REVISION.



Campbell Way
Dinnington
Sheffield
S25 3QD
Tel: 01909 499 899
W: www.granadaglazing.com



Specification

Aluminium 6063-T6 alloy to BS EN 755-9 standard, powder coated to BS 6496 to 60 - 80 micron finish.

Aluminium Finish: White - RAL 9003 Satin.

Glazing: All frames are factory glazed.
(4mm-10.8 single glazed - 28mm overall double glazed).

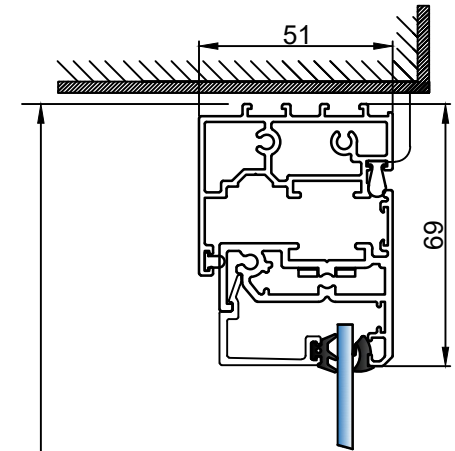
Gasket colour: White.

Trim: 27mm uPVC Single Bullnosed White.

Ironmongery: Butt hinges as standard, friction stays option available.
Symphony Inline handle as standard, flush inline handle option available.
Square drive actuator removable handle option available.

Orientation: Left hand, right hand and top hung options.

In line with our company policy of continuous product development and improvement, Granada reserves the right to make minor alterations to specification without notice.

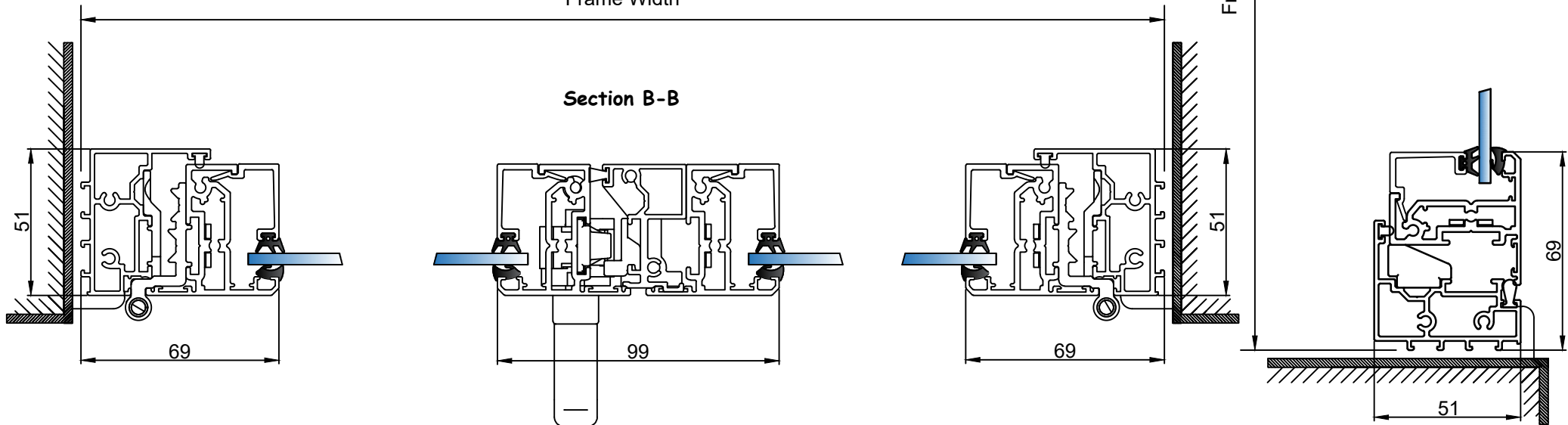


Section A-A

Frame Width

Frame Height

Section B-B



PROJECT:
Standard Details

GSG_001
DRAWING NO.

-
PROJECT NO. 07/07/21
DATE.

TITLE:
HU-DH Hinge unit, Reveal Fix, Single glazed

NTS
AB
DRAWN.

RH
CHECKED.
REVISION.



Campbell Way
Dinnington
Sheffield
S25 3QD

Tel: 01909 499 899
W: www.granadaglazing.com

Specification

Aluminium 6063-T6 alloy to BS EN 755-9 standard, powder coated to BS 6496 to 60 – 80 micron finish.

Aluminium Finish: White – RAL 9003 Satin.

Sub-Frame: Primed high quality with 2 coats, FSC Mix credit radiata pine clear grade, FSC mix credit TT-COC-002 157.

Timber Size: 62mm x 16mm.

Glazing: All frames are factory glazed.
(4mm-10.8 single glazed – 28mm overall double glazed).

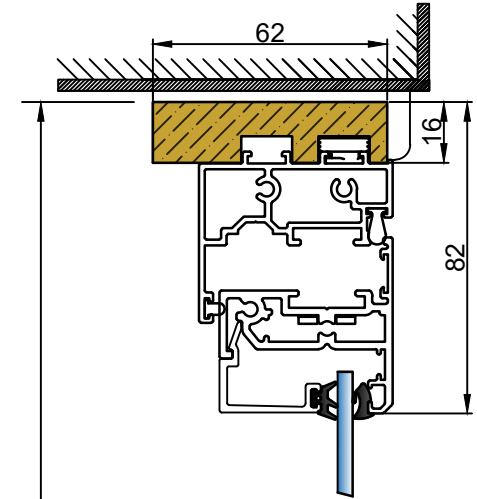
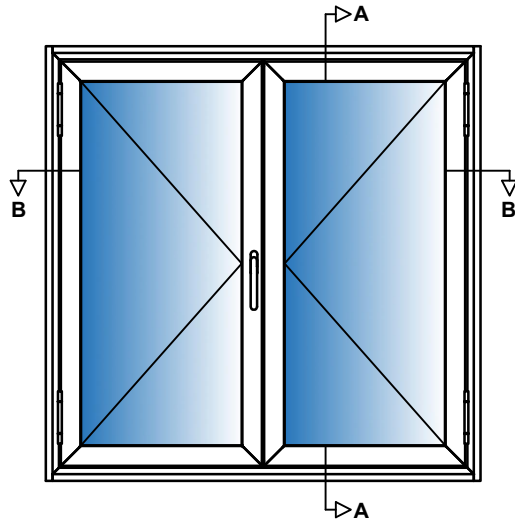
Gasket colour: White.

Trim: 27mm uPVC Single Bullnosed White.

Ironmongery: Butt hinges as standard, friction stays option available.
Symphony Inline handle as standard, flush inline handle option available.
Square drive actuator removable handle option available.

Orientation: Left hand, right hand and top hung options.

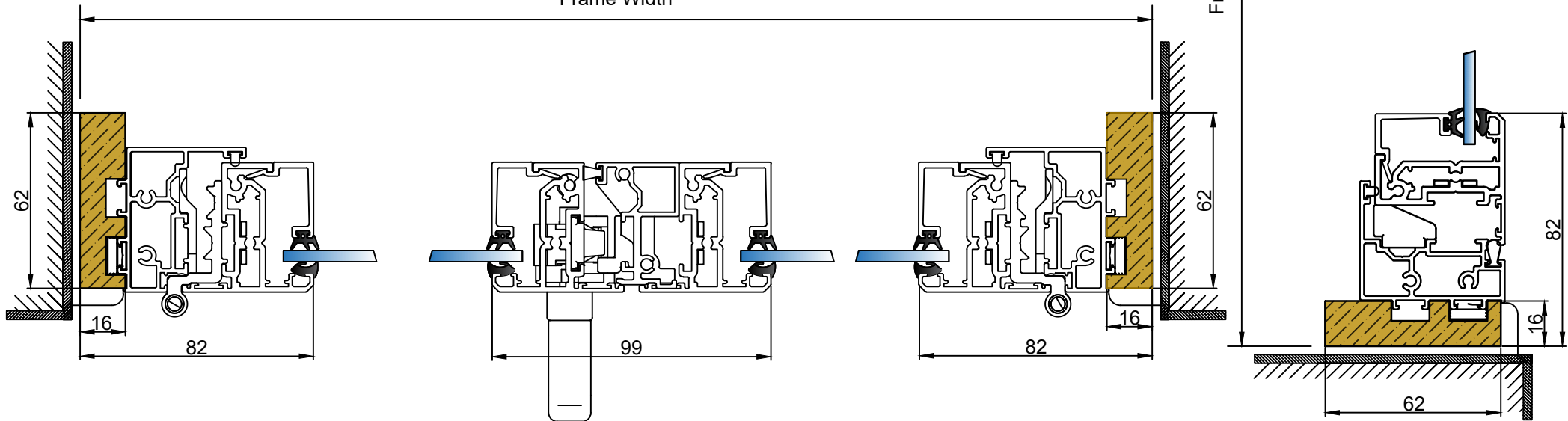
In line with our company policy of continuous product development and improvement, Granada reserves the right to make minor alterations to specification without notice.



Section A-A

Frame Width

Frame Height



PROJECT:
Standard Details

GSG_001
DRAWING NO.

-
PROJECT NO. DATE.

07/07/21

TITLE:
HU-DH Hinge unit, Reveal Fix, Single glazed

NTS
AB
DRAWN.

RH
CHECKED.

-
REVISION.



Campbell Way
Dinnington
Sheffield
S25 3QD
Tel: 01909 499 899
W: www.granadaglazing.com